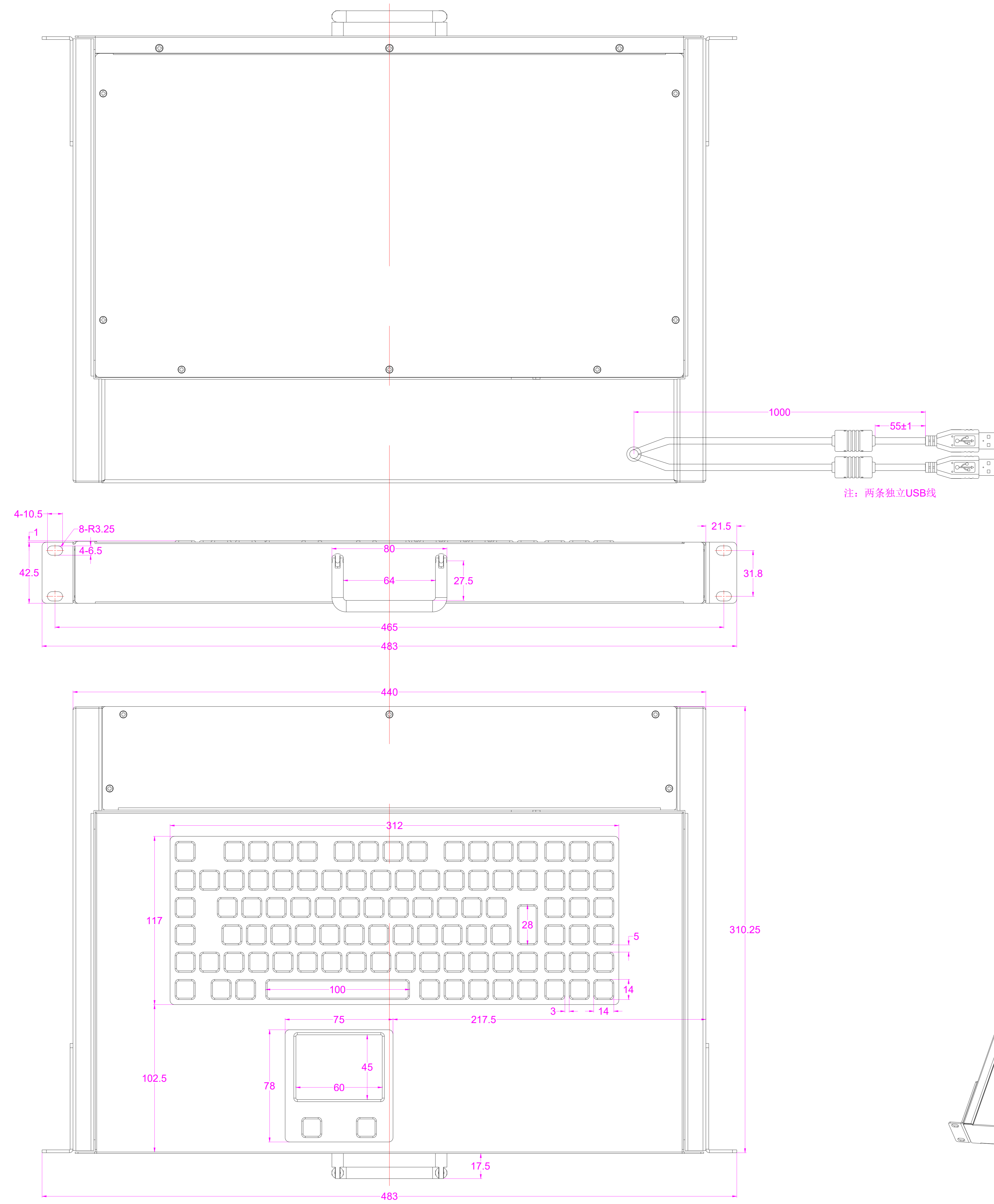
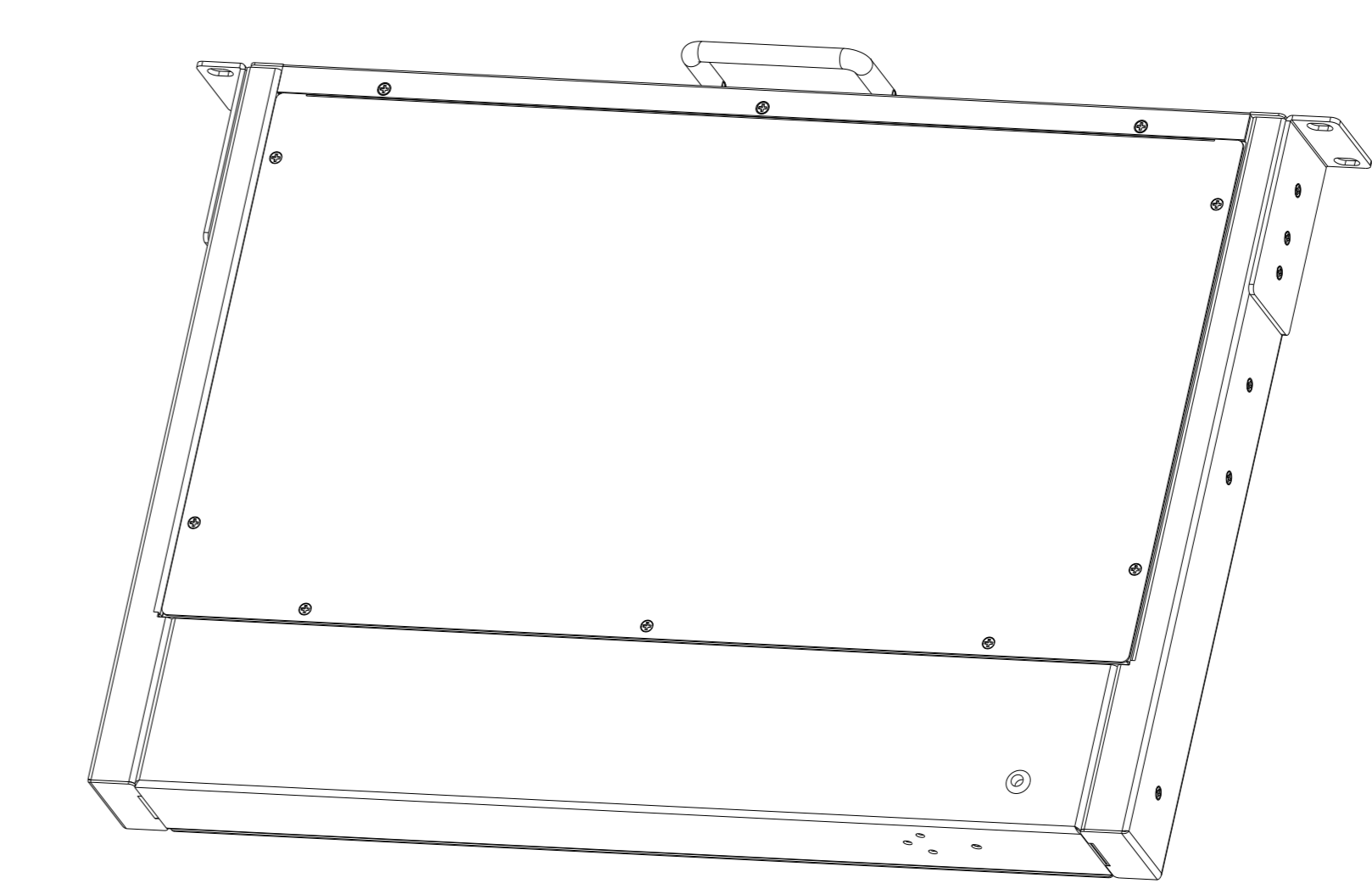


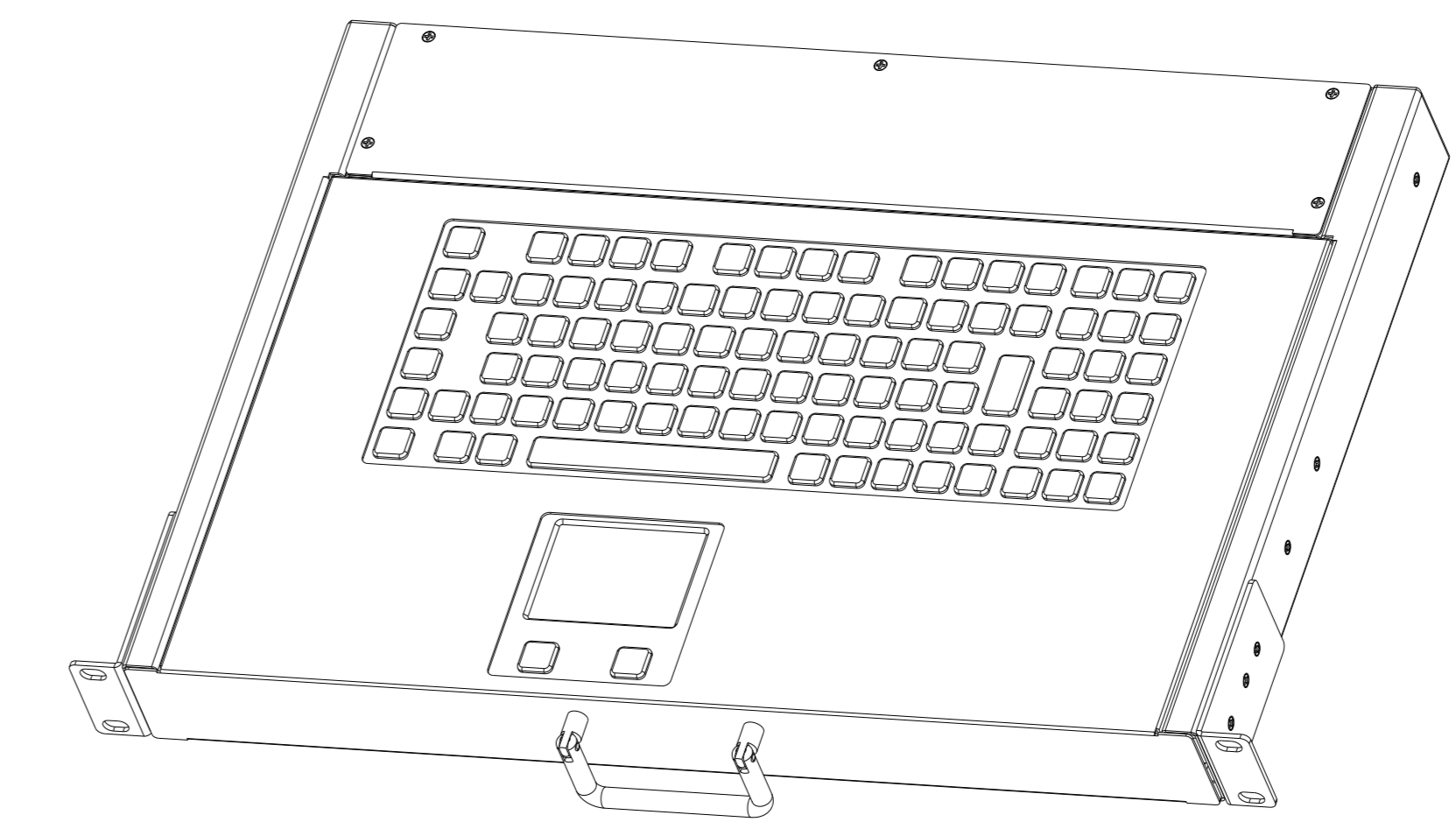
Date	Changes	REV
2021.06.09	Original	1.0




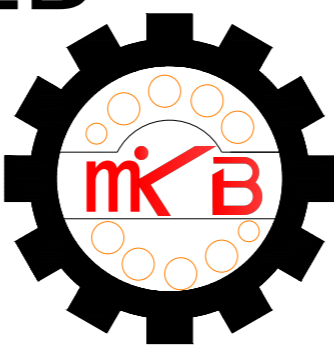
注：两条独立USB线

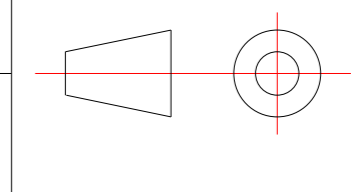


比例 0.500



比例 0.500


KEY TECHNOLOGY(CHINA)LIMITED
 深圳市键特电子有限公司
www.key-tek.cn www.ikb-mkb.com


Part Name		K-TEK-A320KP-FN-A83TP			Project Name			
Part No.					Project No.			
Material					Scale	1:1	Unit	mm
Date	2021.06.09	Version	1.0	Tolerance	IT12	Sheet	1 of 1	
Designed	Chen Zhenjie	Audited		Tony Deng		Approved		