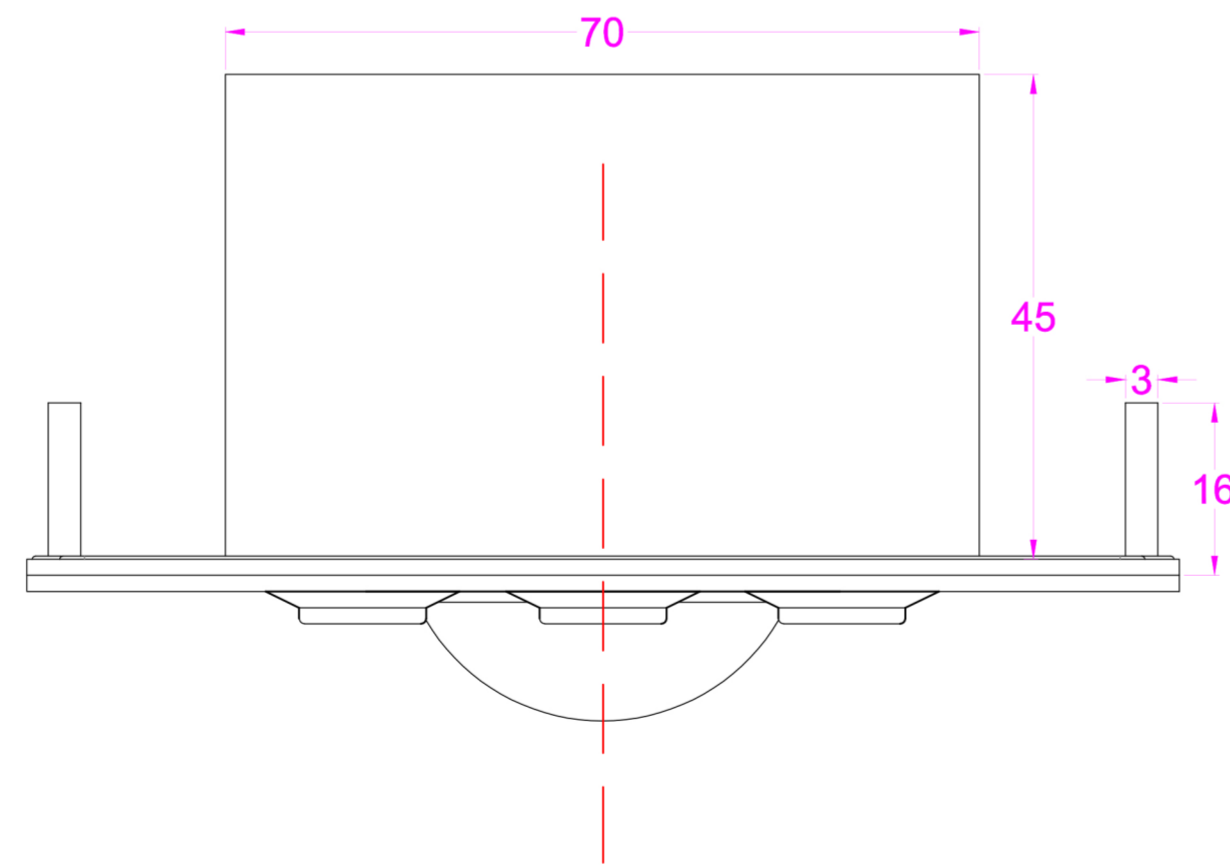
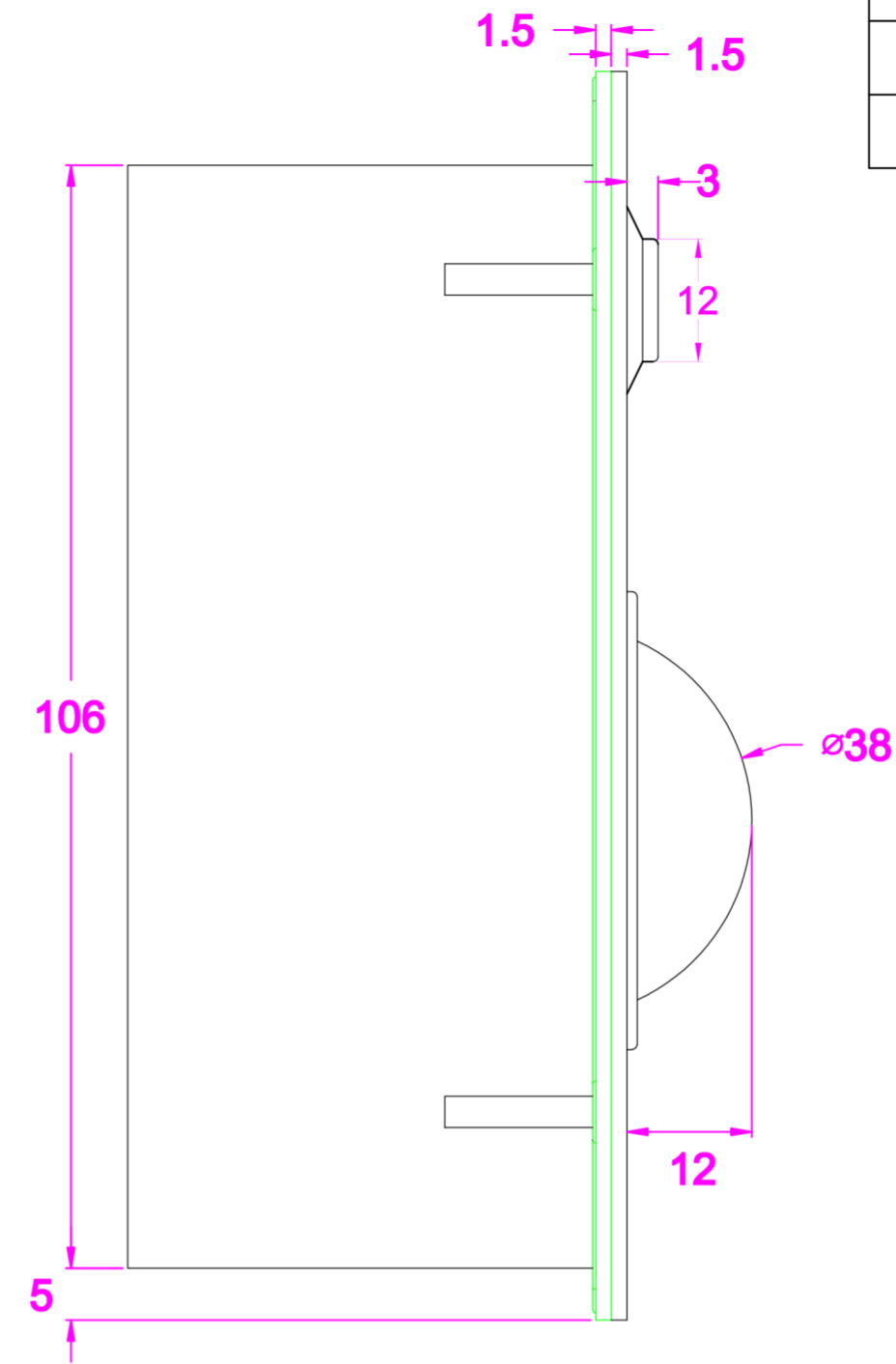
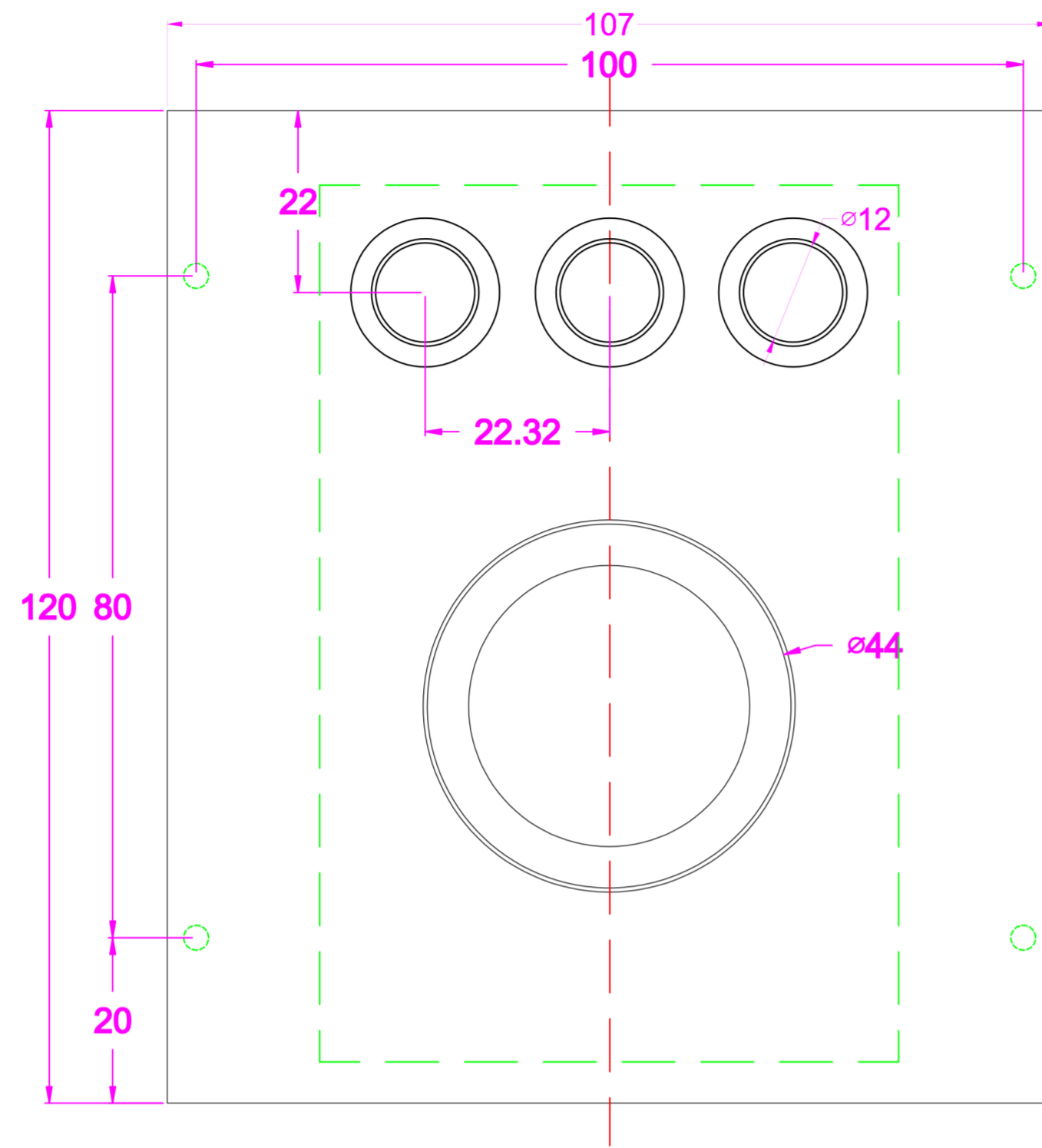


Date	Changes	REV
26.09.2018	Original	1.0



Part Name				Project Name			
Part No.		K-TEK-B107-38-OTB-BT-DWP		Project No.			
Material				Scale		1:1	Unit
Date		26.09.2018	Version	1.0	Tolerance	IT12	Sheet
Designed		Chen Xiao Bing	Audited	Tony Deng		Approved	

