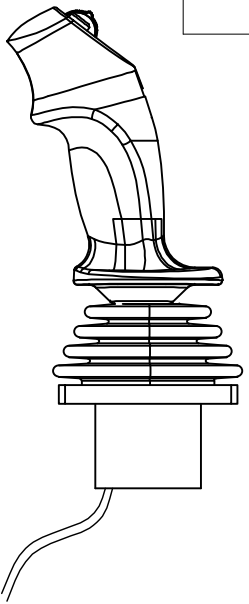
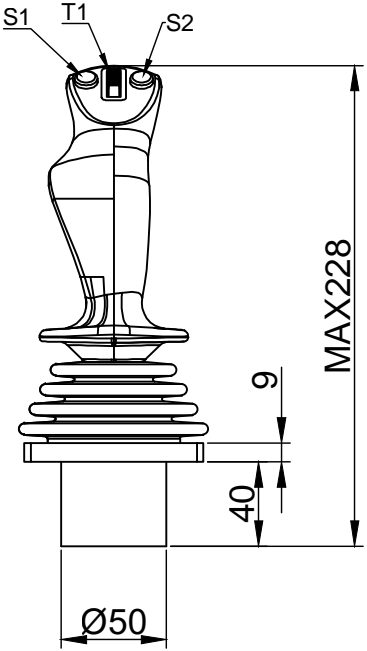
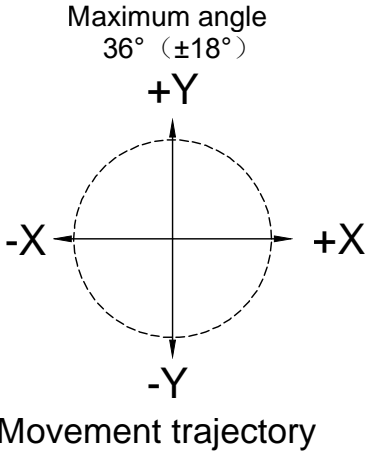
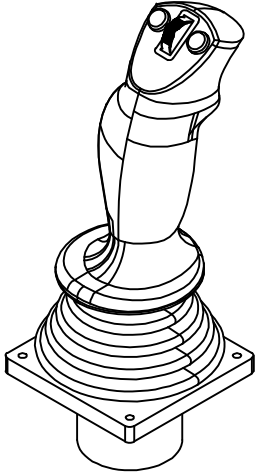
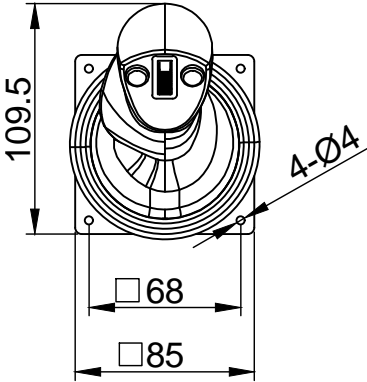


Date	Changes	REV
2024.09.05	Original	1.0
2025.11.10	Change the direction of outgoing lines.	2.0



PIN definition	Color
+5VDC	red
USB +	green
USB -	white
GND	black

Cable length: 1500±100mm



AW-GBC4-C2U2T