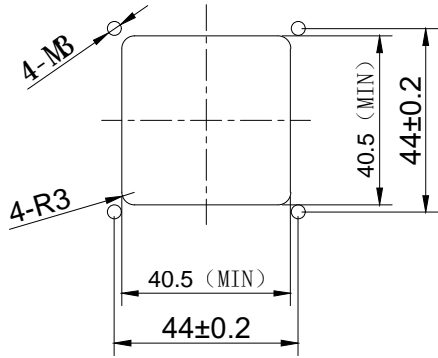
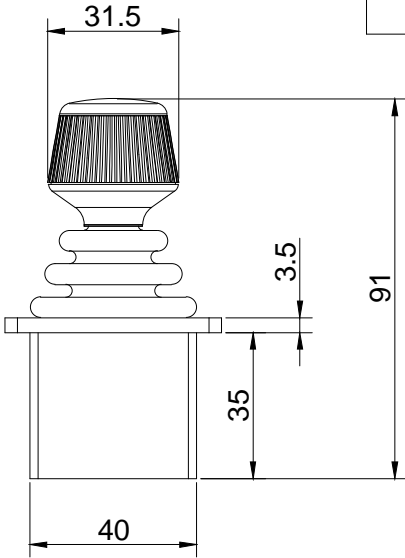


Date	Changes	REV
2024.08.26	Original	1.0



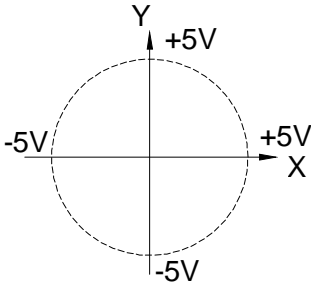
Recommended installation size



X, Y Maximum angle
36° (±18°)

PIN definition	Color
+5VDC	red
GND	black
Y OUT	white
X OUT	green

Bottom of the joystick
+ Cable outlet from Y direction
Cable length: 30cm±50mm



Movement trajectory

