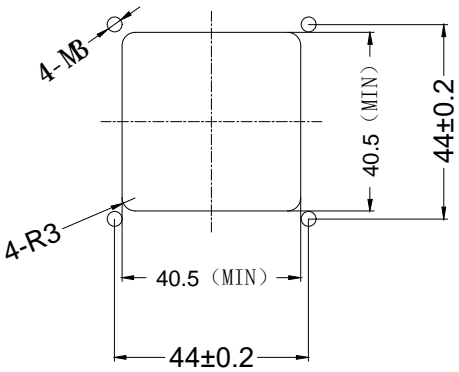
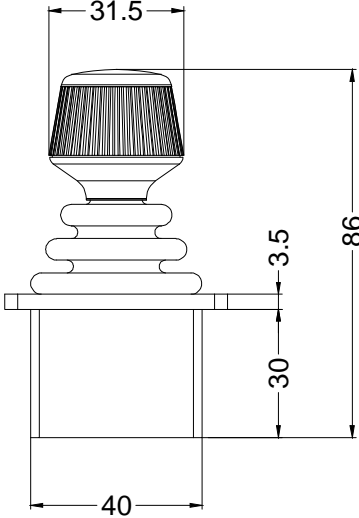


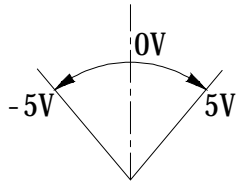
Date	Changes	REV
2024.08.26	Original	1.0



Recommended installation size



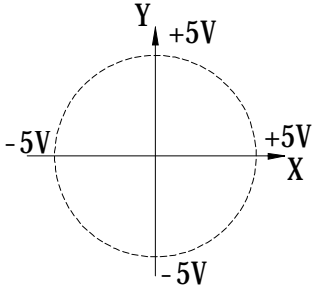
Z Maximum angle  
50° (±25°)



PIN definition	Color
+5VDC	red
GND	black
Y OUT	white
X OUT	green
Z OUT	yellow

Bottom of the joystick  
+ Cable outlet from Y direction  
Cable length: 30cm±50mm

X, Y Maximum angle  
36° (±18°)



手柄运动轨迹

