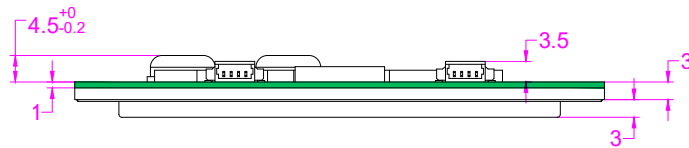
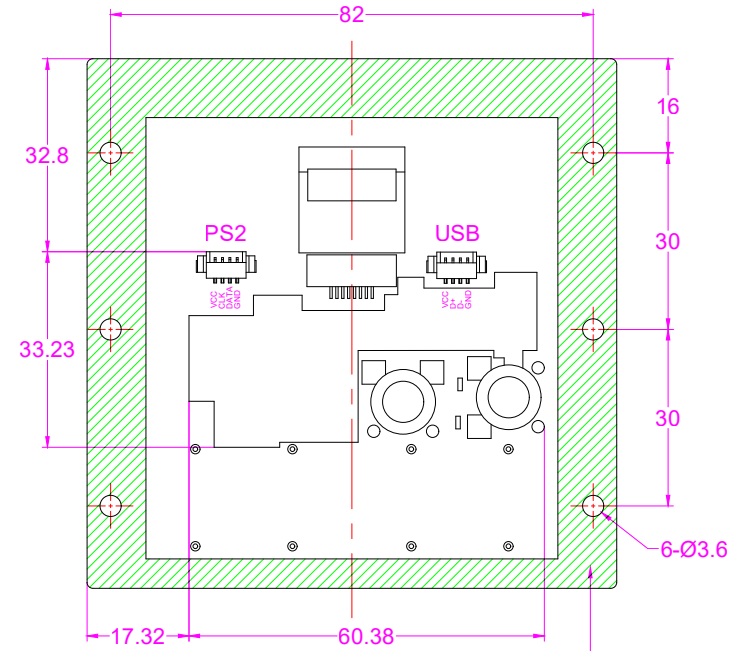
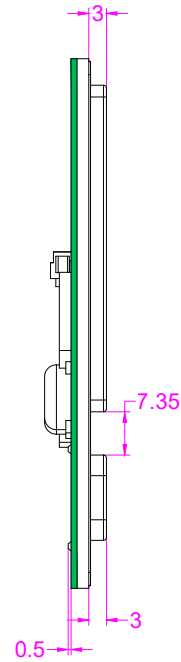
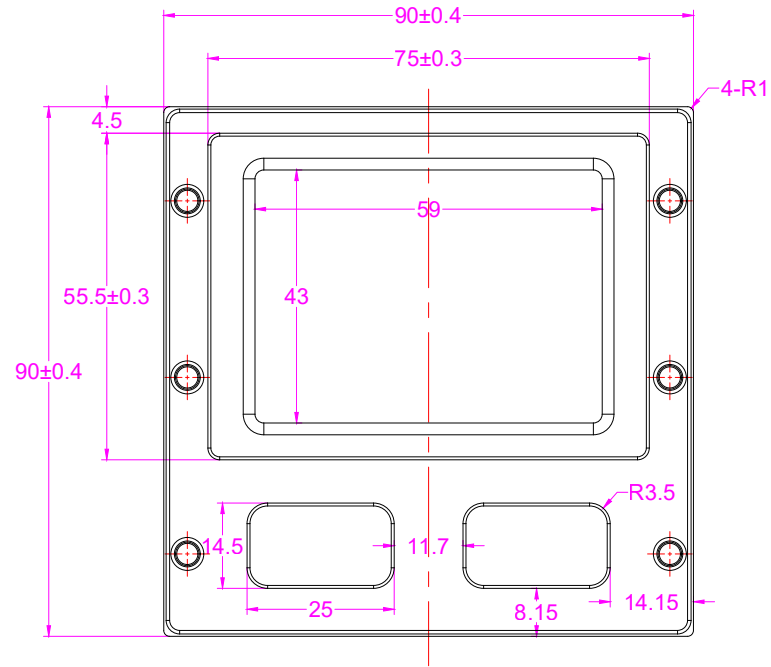


Date	Changes	REV
2024.06.17	Original	1.0



(Exposed copper area)
露铜区域

AW-M90TP-NV-151B-SW