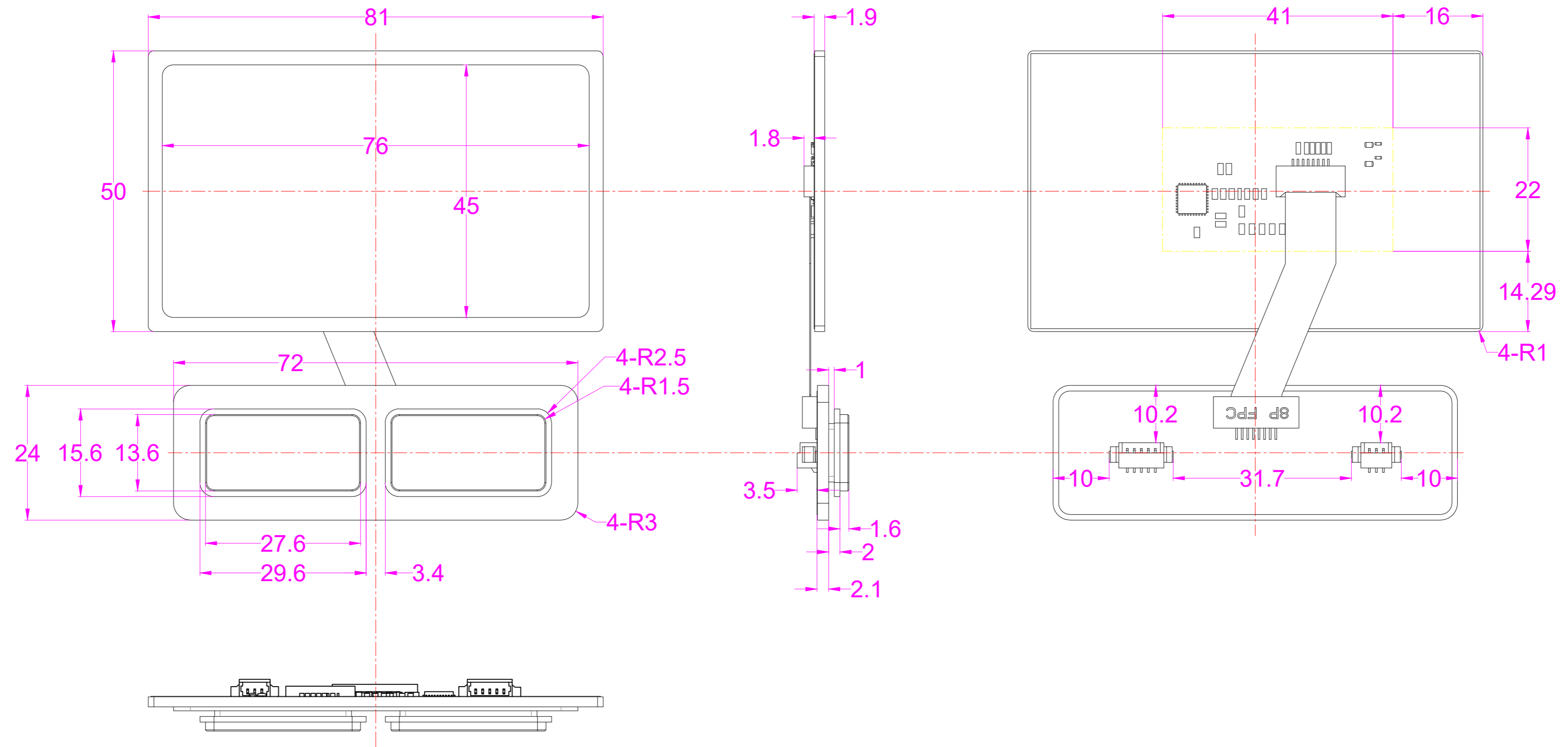


| Date | Changes | REV |
|------------|----------|-----|
| 2023.10.23 | Original | 1.0 |
| | | |
| | | |



AW-TP80-DML-25KV